

**FEATURES:**

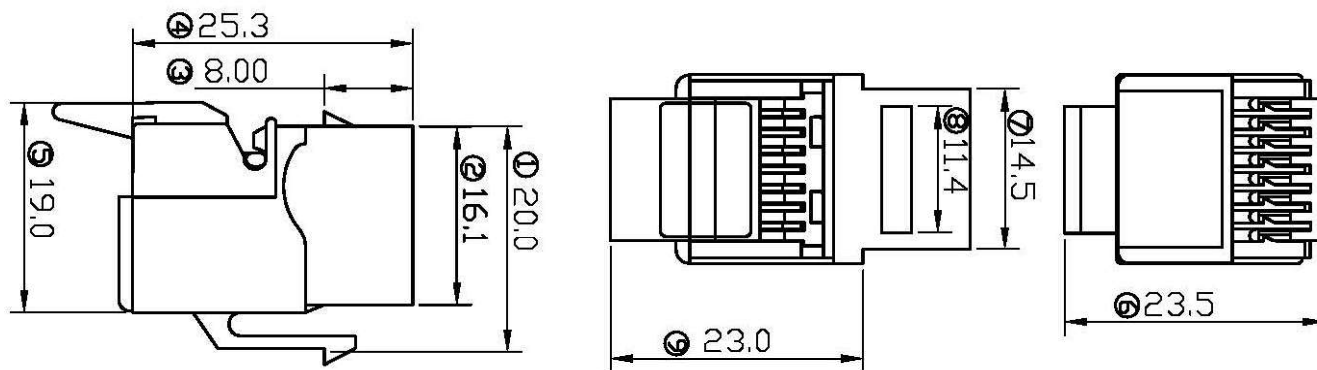
- Conform to TIA/EIA-568.2-D, ISO/IEC 11801-1 and EN50173-1 category 6 specification
- Supports T568 A&B wiring & easy installation
- Termination lid ensures excellent strain relief, cable bend radius control and secure fixing
- Accepts 22-24 AWG solid cables
- IDC contacts: high performance copper alloy with 50µ inch gold plating over nickel in contact area
- Housing material: high impact UL 94V-0 ABS
- Insertion life: 750 plug insertions minimum
- RoHS compliant



**APPLICATIONS:**

- 1000BASE-TX Gigabit Ethernet
- 1000BASE-T Gigabit Ethernet
- 100BASE-TX Fast Ethernet
- 10BASE-T Ethernet
- Voice, Video and other applications

**DRAWING:**

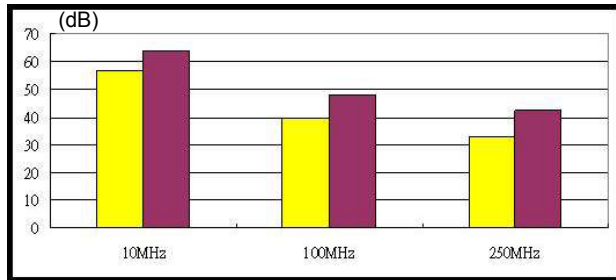


Premium Line Systems GmbH reserves the right to change specifications without prior notice.

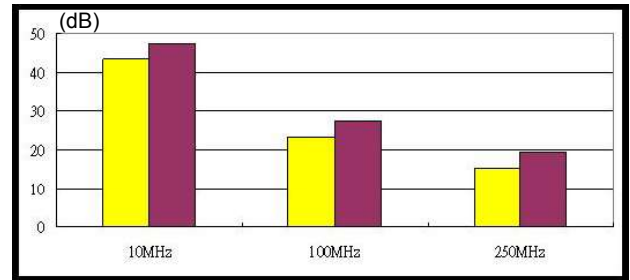
**TYPICAL PERFORMANCE:**

**Channel Performance Data for Cat.6 UTP Solution**

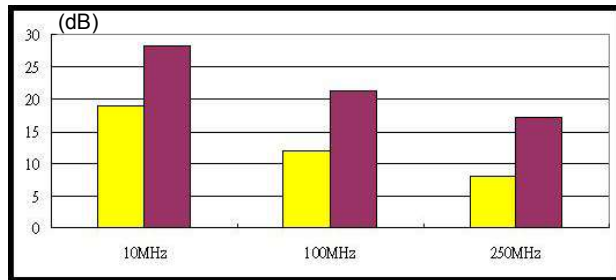
**NEXT**



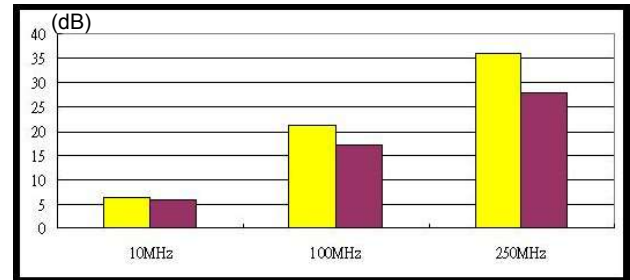
**ELFEXT**



**Return Loss**



**Insertion Loss**



Cat.6 Limit  Typical

**ORDERING INFORMATION:**

Part No. 106114010  
 Description Cat.6 90° unshielded toolless keystone jack, white  
 Packing 1pc/PE bag, 50pcs/box, 500pcs/carton  
 carton dimension : 53.8\*35.2\*27cm weight: G.W. 6.3 kg / N.W. 3.4 kg

Premium-Line Systems GmbH, Rosenheimer Str.89, D-83064 Raubling, Germany

► TEL: + 49(0)8035 9836 0 ► Fax: + 49(0)8035 9836 22

*Premium Line Systems GmbH reserves the right to change specifications without prior notice.*