

FEATURES:

- Conform to ANSI/TIA 568.2-D, ISO/IEC 11801-1, EN 50173-1 Class Ea specifications
- Die-casting design for optimal EMI protection
- Slim size is ideal for interfaces where the spaces are tight
- Real ISO/IEC 11801 and EN 50173 short link performance guaranteed
- Multi-nodes consolidation cord, reliable end to end solution & high data traffic applications
- Separate grounding-pin has better grounding effect
- RoHS compliant



APPLICATIONS:

- 10GBASE-T Ethernet
- 1000BASE-TX Gigabit Ethernet
- 1000BASE-T Gigabit Ethernet
- 100BASE-TX Fast Ethernet.
- 10BASE-T Ethernet
- Voice, Video and other applications.

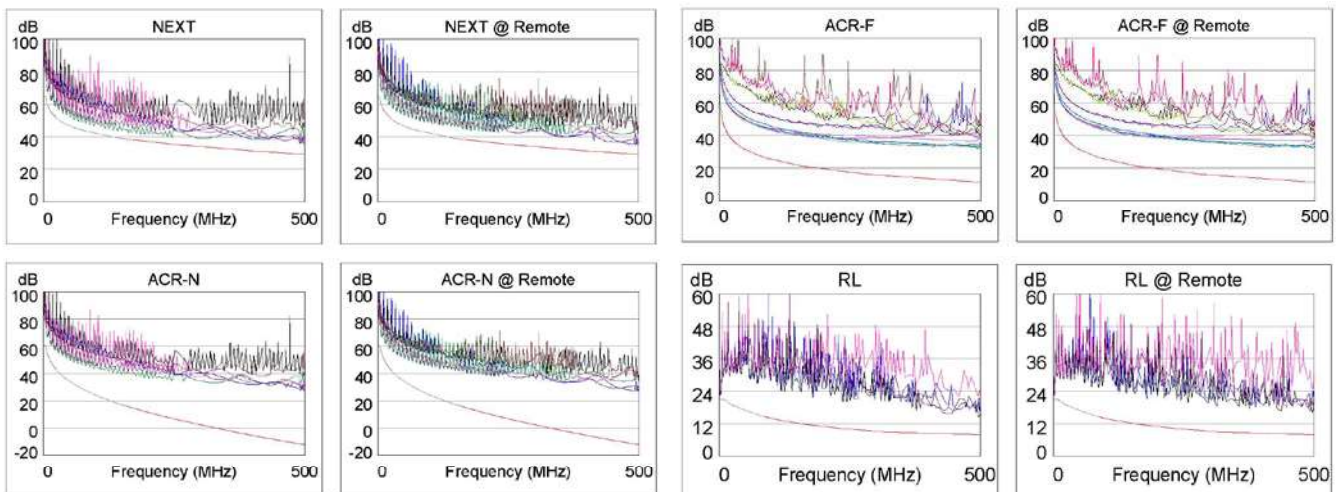
Premium Line Systems GmbH reserves the right to change specifications without prior notice.

CHARACTERISTICS:

Dielectric Strength	1000V RMS for 1min
Current Rating	1.5Amp Max.
Insulation Resistance	10MΩ Min.
Contact Resistance	2mΩ per contact
Temperature Range	-10°C to 60°C
Humidity	10%~90%; non condensing
Admissible Conductor	22AWG ~ 26AWG insulation wire
Body Material	Housing: PC Body: Zinc Die-casting
Jack contact	Phosphor bronze, 50μ inch gold plated over nickel plated in contact area Operating life: Minimum 750 insertions
IDC Contacts	100μ inch nickel plated over phosphor bronze Operating life: Minimum 250 Re-terminations

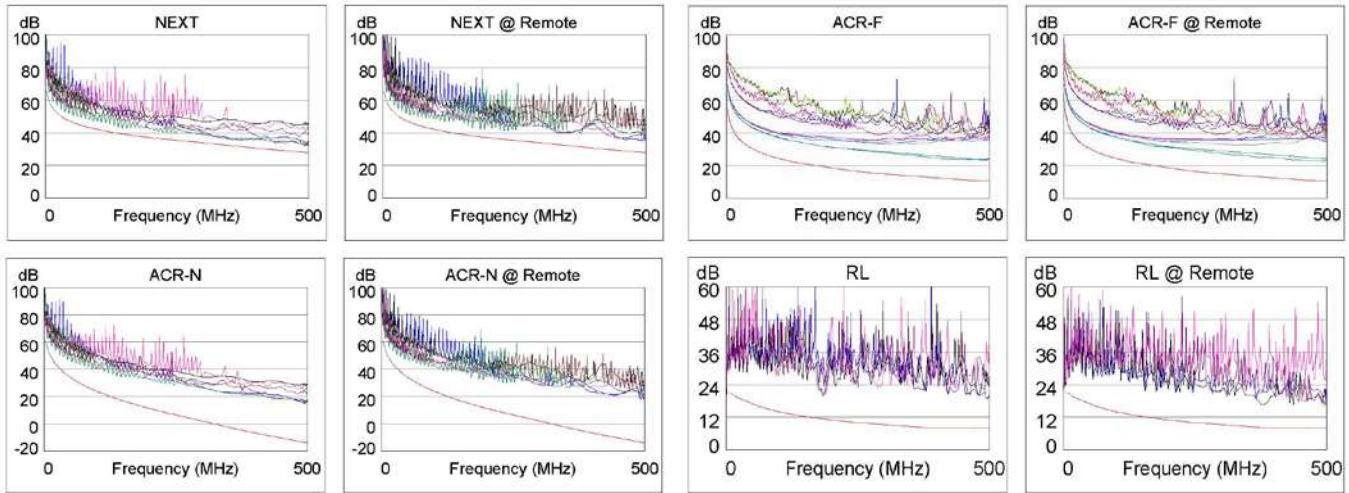
TYPICAL PERFORMANCE:

EN50173 PL2 Class Ea

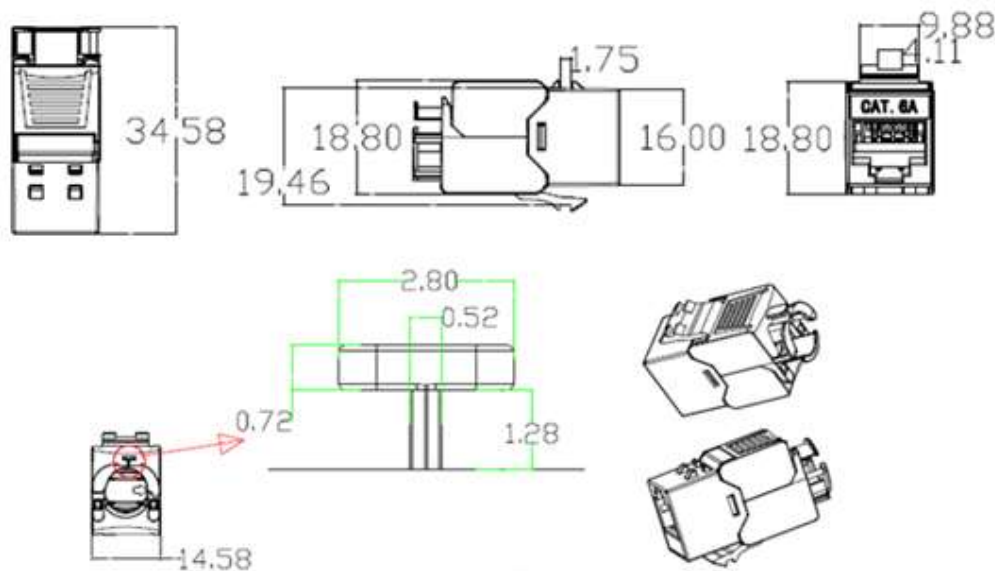


Premium Line Systems GmbH reserves the right to change specifications without prior notice.

EN50173 PL3 Class Ea



DRAWING:



ORDERING INFORMATION:

Part NO.	109824012
Description	Cat.6A 180° shielded die-casting keystone jack, w/grounding-pin, slim type
Packing	1pc/ PE bag, 40pcs/box, 400pcs/ carton
	carton size 53.8*35.2*27 cm weight N.W. 10.8 KG G.W. 12.5KG

Premium-Line Systems GmbH. Rosenheimer Str.89 D-83064 Raubling. Germany

► TEL:+49(0)8035 9836 0 ► Fax:+49(0)8035 9836 22

Premium Line Systems GmbH reserves the right to change specifications without prior notice.