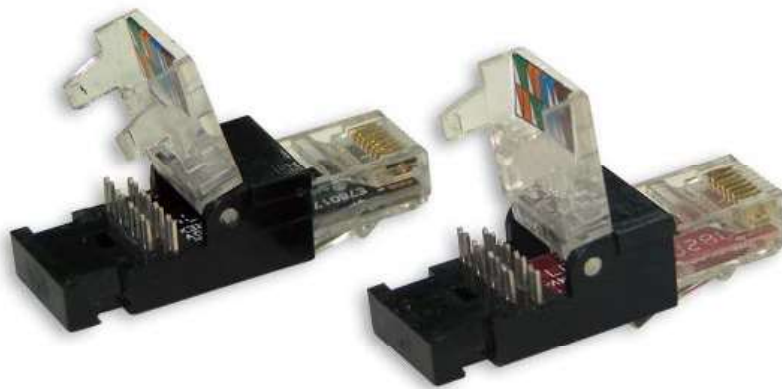
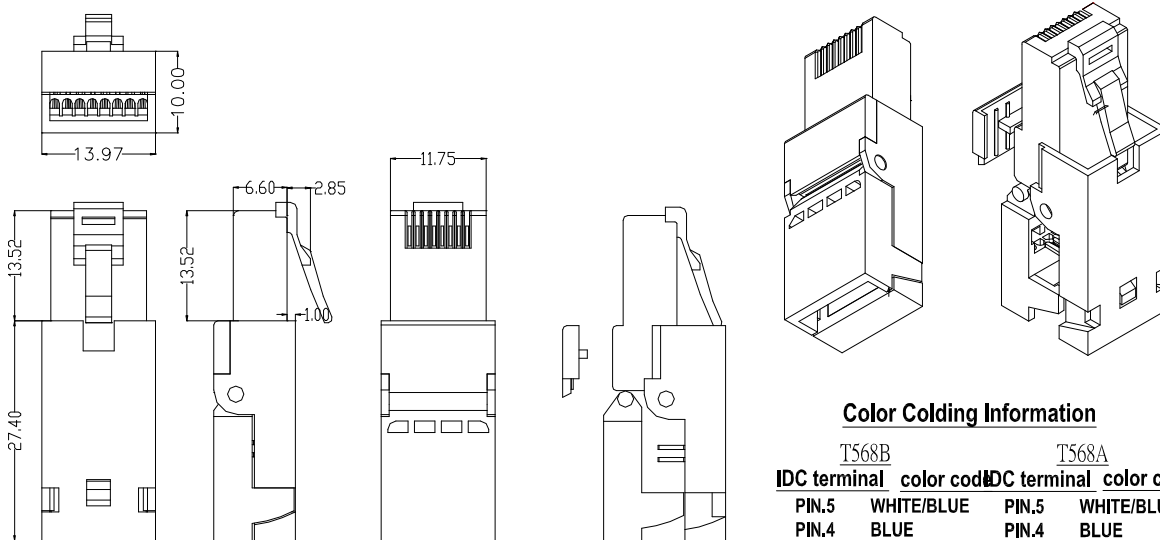


FEATURES:

- Meeting the TIA/EIA-568-B.2-1, ISO/IEC11801 and EN50173-1 specifications.
- Complying with category 6 patch cord testing performance requirements.
- Connector accepts 22-26 AWG solid and stranded UTP cables.
- Supporting T568 A&B wiring & easy installation.
- Terminating cable without tools
- Ideal for industrial applications



DRAWING:



Specification

1. Plug: Toolless RJ45 .
2. RJ45 Body: PC UL94V-0 rated. Black color or Water Clear.
Contact: Phosphor Bronze,
Tin-lead over nickle in solder area.

Color Colding Information

T568B		T568A	
IDC terminal	color code	IDC terminal	color code
PIN.5	WHITE/BLUE	PIN.5	WHITE/BLUE
PIN.4	BLUE	PIN.4	BLUE
PIN.1	WHITE/ORANGE	PIN.1	WHITE/GREEN
PIN.2	ORANGE	PIN.2	GREEN
PIN.3	WHITE/GREEN	PIN.3	WHITE/ORANGE
PIN.6	GREEN	PIN.6	ORANGE
PIN.7	WHITE/BROWN	PIN.7	WHITE/BROWN
PIN.8	BROWN	PIN.8	BROWN

Premium Line Systems GmbH reserves the right to change specifications without prior notice.

CHARACTERISTICS:

IDC Connector	Characteristics
Operating Life	Minimum 200 re-terminations
Contact Material	0.5 mm thickness Alloy
IDC Contact Plating	Tin plated over Nickel
IDC Material	PC, UL94 V-0

RJ45 Plug	Characteristics
Contact Plating	50µ Inch Gold plated over Phosphor Bronze
Operating Life	Minimum 200 re-insertion
Housing Material	PC, UL94 V-0

Printed Circuit Board	Characteristics
Materials	FR-4, UL94 V-0
Thickness	1.6 mm

Electrical Characteristics	Characteristics
Insulation Resistance	100 MΩ
Termination Resistance	20 mΩ
Dielectric Withstanding Voltage	500 Volts AC
Tensile Strength	20KG Min

APPLICATIONS:

- 10BASE-T , 100BASE-TX/100BASE-T4, 1000BASE TX
- ATM-25 / ATM-51 / ATM-155-
- TR-4 / TR-16 Active / TR-16 Passive

ORDERING INFORMATION:

Part NO. 156100002
Description Premium Line Cat.6 unshielded toolless RJ45 plug, black

Premium-Line Systems GmbH, Rosenheimer Str.89, D-83064 Raubling, Germany

► TEL: +49(0)8035 9836 0 ► Fax: +49(0)8035 9836 22

Premium Line Systems GmbH reserves the right to change specifications without prior notice.