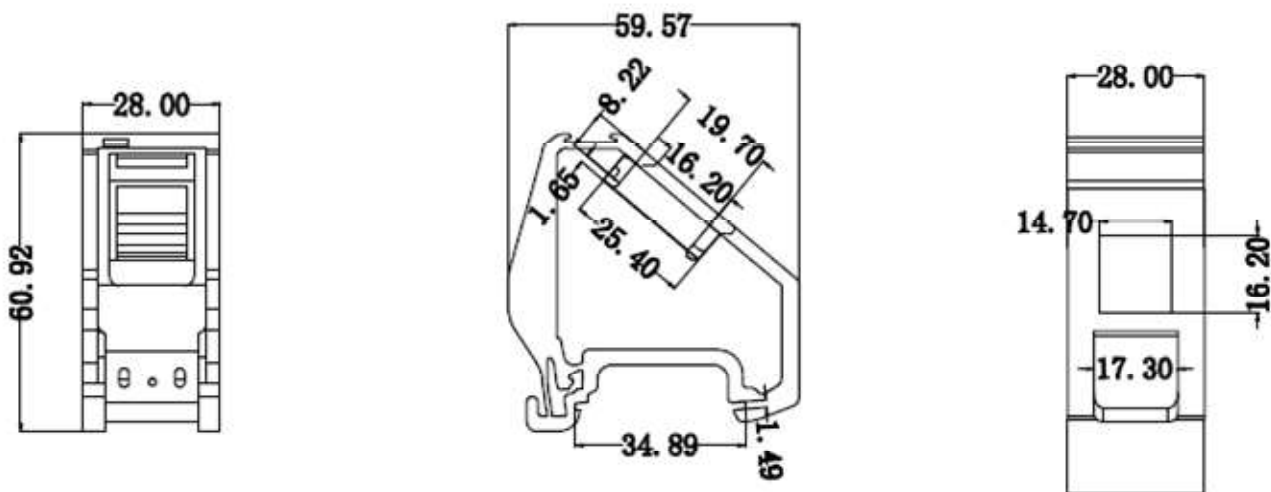


FEATURES:

- Suitable for Premium-Line 180° keystone jack (except P/N 106524010, 105524010)
- Suitable for LC/Duplex or SC/Simplex adapter with adapter support module P/N127120000
- DIN rail mounting
- Easy port description by removable labels in plastic holders
- Assembly without special tools
- Color: RAL9003
- Material: ABS
- RoHS compliant



DRAWING:

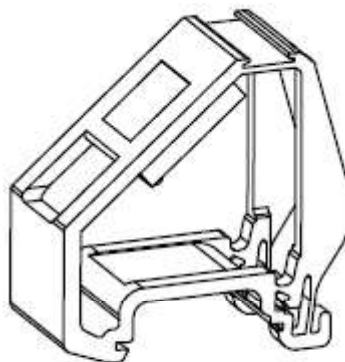
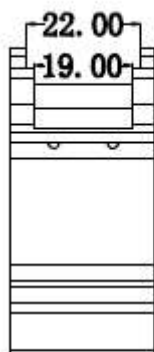


Premium-Line Systems GmbH reserves the right to change specifications without prior notice.

Part No. 19000081

Ver. 1904

Product Specification



ORDERING INFORMATION:

Part NO.	19000081
Description	Premium-Line DIN rail adapter
Packing	1pc/PE bag, 20pcs/box, 200pcs/carton carton size 34.5*29.5*39cm

Premium-Line Systems GmbH reserves the right to change specifications without prior notice.