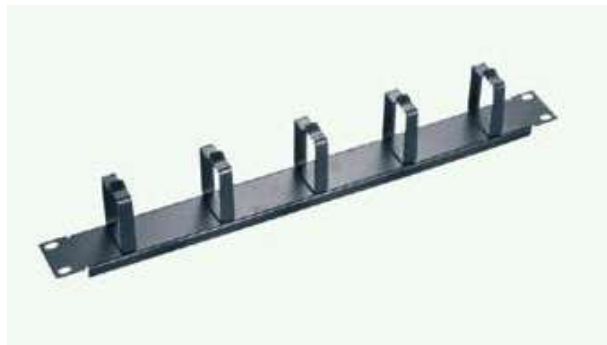


FEATURES:

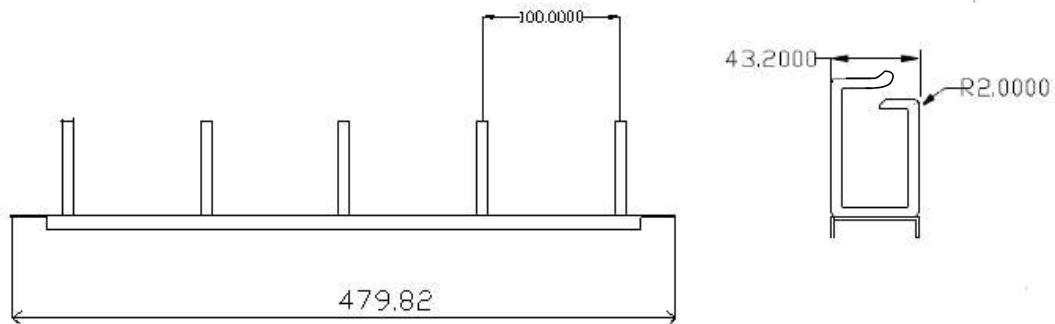
- Standard EIA 19" rack and cabinet mountable
- Meets EIA/TIA bend radius requirements
- Prevents cable tangles
- Light weight, easy to install
- RoHS compliant



APPLICATION:

Suitable for all standard 19" patch panels, racks and cabinets

DRAWING:



ORDERING INFORMATION:

Part NO. 1950M0102
Description Premium Line 19" cable management 1U, metal holder type, black
Packing 1pc/box, 50pcs/carton,
carton size: 52*49*47cm weight: N.W.25.6KG, G.W. 26.9KG,

Premium-Line Systems GmbH, Rosenheimer Str.89, D-83064 Raubling, Germany

► TEL:+49(0)8035 9836 0 ► Fax:+49(0)8035 9836 22

Premium Line Systems GmbH reserves the right to change specifications without prior notice.

FS Cables +44 1727 840 841 sales@fscables.com www.fscables.com