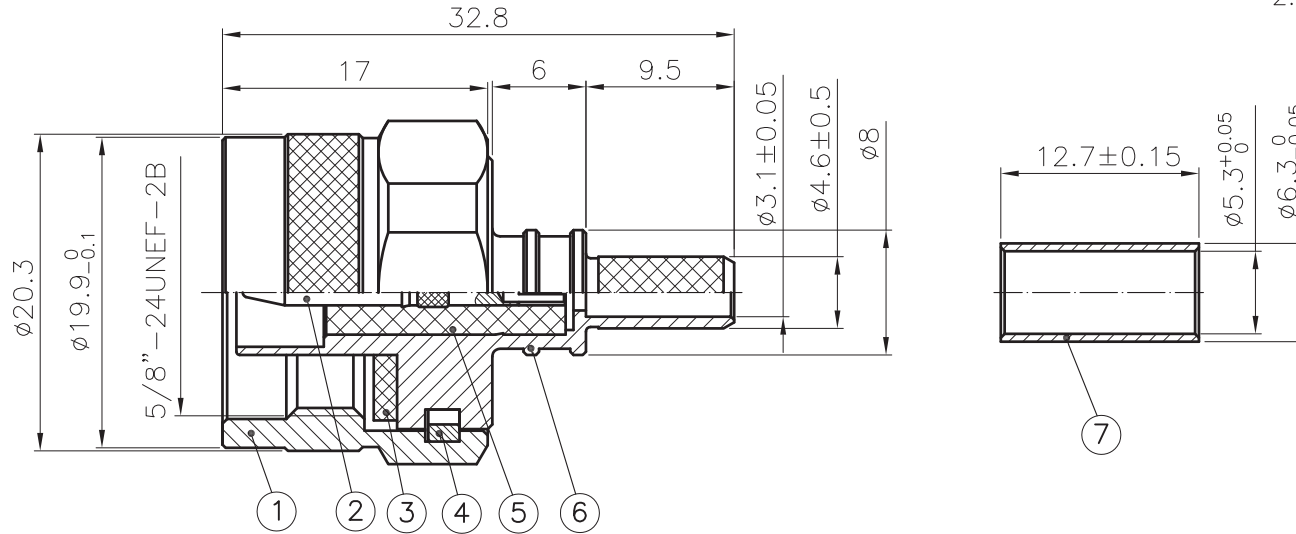


Part Reference: 390L19-EZCN1

REV.	DATE	DESCRIPTION
A	2014.11.20	

1. CRIMPED FERRULE
HEX. CRIMP SIZE 0.213"
2. CONTACT PIN SOLDERLESS



1. ELECTRICAL :

- 1.1. Nominal Impedance : 50Ω ;
- 1.2. Frequency range : 0~6GHz ;
- 1.3. VSWR : ≤1.3 ;
- 1.4. Contact Resistance :
Center Contact : ≤1.5 mΩ ;
Outer Contact : ≤1 mΩ ;
- 1.5. Dielectric Voltage : 750Vrms ;
- 1.6. Insulation Resistance : ≥5000MΩ ;
- 1.7. Insertion loss:0.1dB(DC-3GHz) ;

2. Mechanical :

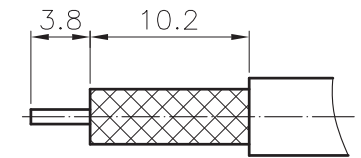
- 2.1. Interface Dimensions:IEC60169-16 ;
- 2.2. Durability : 500cycles min ;

3. Environmental :

- 3.1. Operating Temp. Range:-40℃-+80℃ ;

4. Material and plating :

- BODY : BRASS , NICKEL PLATING ;
 COUPLING NUT : BRASS , NICKEL PLATING ;
 CENTER CONTACT : BRONZE , GOLD PLATING ;
 INSULATOR : PTFE ;
 FERRULE : SOFT BRASS , NICKEL PLATING ;
 GASKET : SILICONE RUBBER ·
 RING : BRONZE ;



TITLE N MALE SOLDERLESS CONTACT PLUG FOR LMR195 CABLE	REV.	A	SCALE	2/1	PART NO.	
	PROJECTION				APPROVED	DATE
DRAWING NO.	UNLESS OTHERWISE SPECIFIED TOLERANCES TOLERANCES				CHECKED	DATE
	1. * ±0.2		4 T.I.R 0.1		DRAWN	DATE
		2. ** ±0.1		5. SURFACE ROUGHNESS Ra1.6		
		3. ANGLE ±3°		6. EDGES CO.15 MAX.		
* MAJOR DIMENSION						