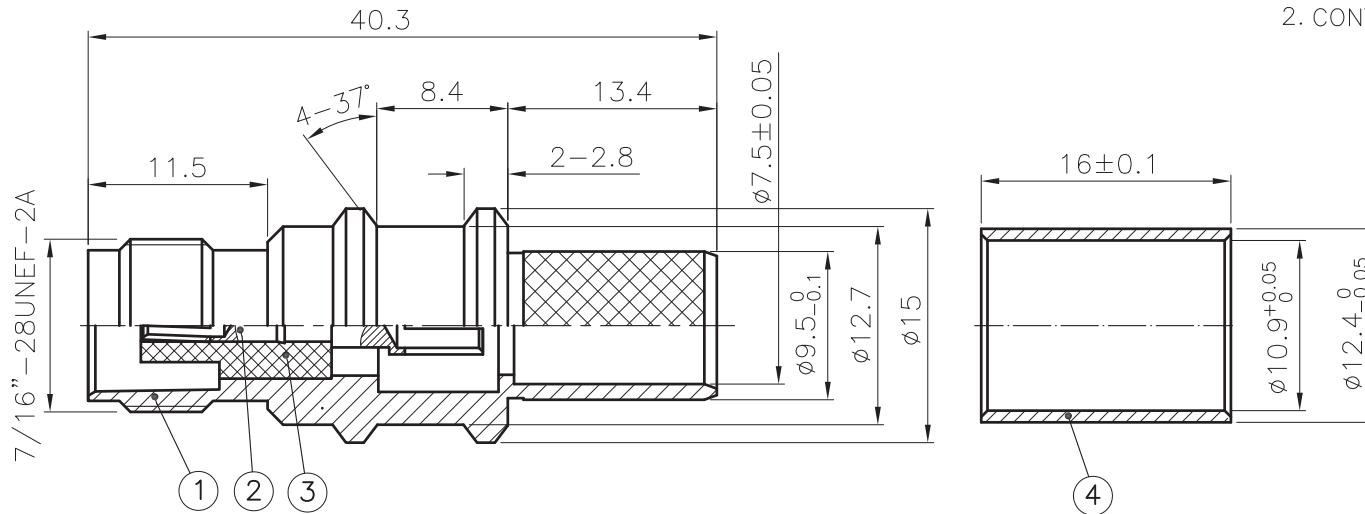


# Part Reference: 390L40-EZCT2

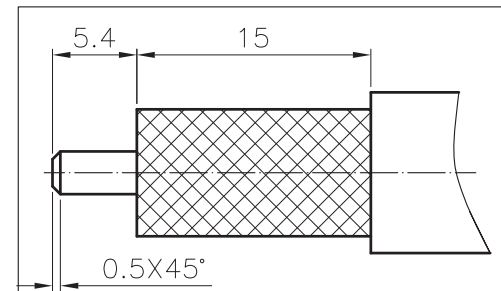
REV.	DATE	DESCRIPTION
A	2014.11.25	

- 1. CRIMPED FERRULE  
HEX. CRIMP SIZE 0.429"
- 2. CONTACT PIN SOLDERLESS



- 1. ELECTRICAL :
  - 1.1. Nominal Impedance : 50Ω ;
  - 1.2. Frequency range : 0~3GHz ;
  - 1.3. VSWR : ≤ 1.25 ;
  - 1.4. Contact Resistance :
    - Center Contact : ≤ 3 mΩ ;
    - Outer Contact : ≤ 2mΩ ;
  - 1.5. Dielectric Voltage : 750Vrms ;
  - 1.6. Insulation Resistance : ≥ 5000MΩ ;
  - 1.7. Insertion loss: According as the cable ;
- 2. Mechanical :
  - 2.1. Interface Dimensions: IEC60169-17 ;
  - 2.2. Durability : 500cycles min ;
- 3. Environmental :
  - 3.1. Operating Temp. Range: -40℃ ~ +80℃ ;

- 4. Material and plating :
  - BODY : BRASS, NICKEL PLATING ;
  - CENTER CONTACT : BRONZE, GOLD PLATING ;
  - INSULATOR : PTFE ;
  - FERRULE : SOFT BRASS, NICKEL PLATING ;



TITLE TNC FEMALE SOLDERLESS CONTACT JACK FOR LMR400 CABLE	REV.	A	SCALE	2/1	PART NO.	
	PROJECTION				APPROVED	DATE
DRAWING NO.	UNLESS OTHERWISE SPECIFIED TOLERANCES TOLERANCES 1. * ±0.2      4 T.I.R 0.1 2. ** ±0.1    5. SURFACE ROUGHNESS Ra1.6 3. ANGLE ±3°   6. EDGES CO.15 MAX.				CHECKED	DATE
	* MAJOR DIMENSION				DRAWN	DATE