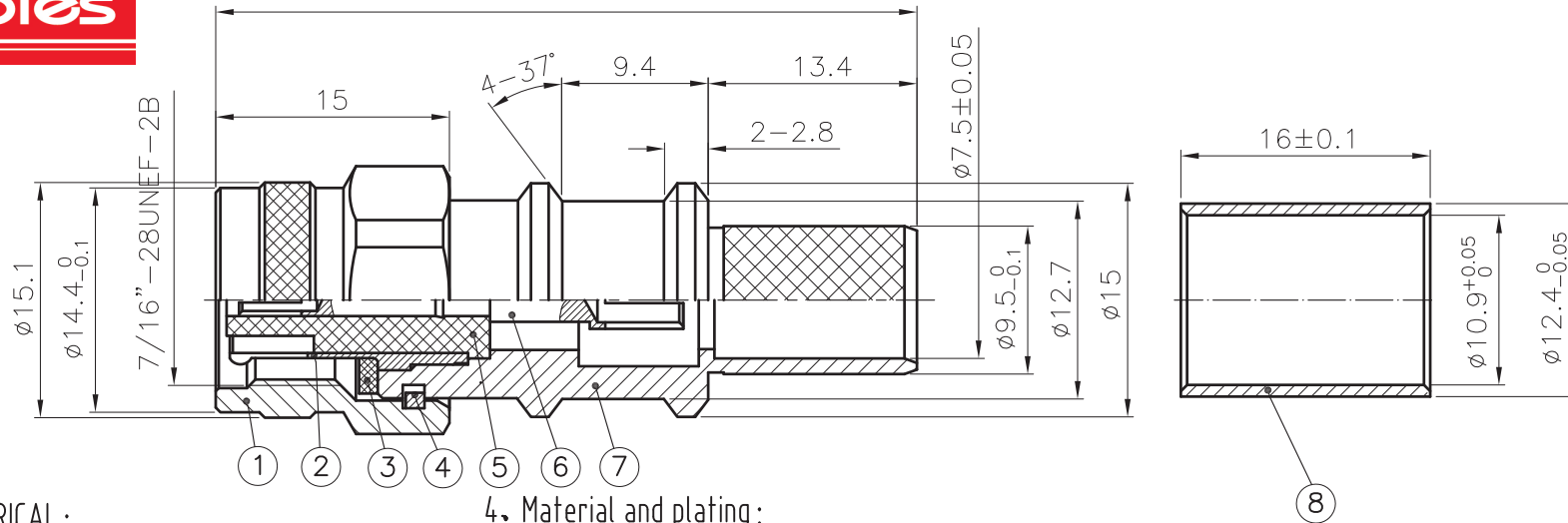


Part Reference: 390L40-EZCT6

REV.	DATE	DESCRIPTION
A	2014.11.25	

1. CRIMPED FERRULE
HEX. CRIMP SIZE 0.429"
2. CONTACT PIN SOLDERLESS



1. ELECTRICAL :

- 1.1. Nominal Impedance : 50Ω ;
- 1.2. Frequency range : 0~3GHz ;
- 1.3. VSWR : ≤ 1.25 ;
- 1.4. Contact Resistance :
Center Contact : ≤ 3 mΩ ;
Outer Contact : ≤ 2mΩ ;
- 1.5. Dielectric Voltage : 750Vrms ;
- 1.6. Insulation Resistance : ≥ 5000MΩ ;
- 1.7. Insertion loss: According as the cable ;

2. Mechanical :

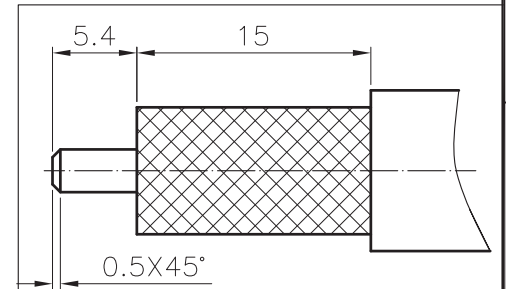
- 2.1. Interface Dimensions: IEC60169-17 ;
- 2.2. Durability : 500cycles min ;

3. Environmental :

- 3.1. Operating Temp. Range: -40°C ~ +80°C ;

4. Material and plating :

- BODY : BRASS, NICKEL PLATING ;
 COUPLING NUT : BRASS, NICKEL PLATING ;
 OUTER CONTACT : BRASS, NICKEL PLATING ;
 CENTER CONTACT : BRONZE, GOLD PLATING ;
 INSULATOR : PTFE ;
 FERRULE : SOFT BRASS, NICKEL PLATING ;
 GASKET : SILICONE RUBBER



TITLE RPTNC MALE SOLDERLESS CONTACT PLUG FOR LMR400 CABLE	REV.	A	SCALE	2/1	PART NO.	
	PROJECTION				APPROVED	DATE
DRAWING NO.	UNLESS OTHERWISE SPECIFIED TOLERANCES TOLERANCES				CHECKED	DATE
	1. * ±0.2		4 T.I.R 0.1		DRAWN	DATE
		2. ** ±0.1		5. SURFACE ROUGHNESS Ra1.6		
		3. ANGLE ±3°		6. EDGES CO.15 MAX.		
* MAJOR DIMENSION						