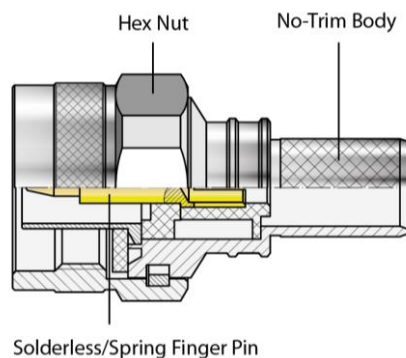


# Installation Guide to EZ Connectors for



These connectors are a real time saver when installing on site, providing you with a faster, high performance solution.

Main features are a hexagonal locking head and a gold-plated, solderless centre pin. In addition to this, the need to trim the braid has also been eliminated.



By following 4 simple steps, the N-Type connectors will give you the consistent termination results you are looking for, every time.

## Preparation

Prepare cable using either the strip and preparation tool or manually stripping the cable using instructions from the connector packaging. Then slide the Ferrell and heat shrink over the cable.



## Step 1

Help the braid away from the coax's dielectric.



**Step 2**

Place the connector over the central conductor and ensure the neck of the connector sits between the dielectric and braid screen. Now push the connector until it stops moving down the coax.



**Step 3**

Slide the Ferrell over the braid.



And crimp into place



#### Step 4

Slide the heat shrink up to the coupling nut and continue to apply heat using a heat gun. Heat the material until the shape of the connector can be seen.



### The Full Range of Antennax Connectors

Code	Description	Used On	Crimp Tool	Preparation Tool
<b>BNC Connectors</b>				
390L19-EZCB1	BNC Male Connector	ANT-195	390L19-T1	390L19-EZS1
390L20-EZCB1	BNC Male Connector	ANT-200	390L20-T1	390L20-EZS1
390L24-EZCB1	BNC Male Connector	ANT-240	390L24-T1	390L24-EZS1
390L40-EZCB1	BNC Male Connector	ANT-400	390L40-T1	390L40-EZS1
<b>N-Type Connectors</b>				
390L19-EZCN1	N-Type Male Connector	ANT-195	390L19-T1	390L19-EZS1
390L19-EZCN2	N-Type Female Connector	ANT-195	390L19-T1	390L19-EZS1
390L20-EZCN1	N-Type Male Connector	ANT-200	390L20-T1	390L20-EZS1
390L20-EZCN2	N-Type Female Connector	ANT-200	390L20-T1	390L20-EZS1
390L24-EZCN1	N-Type Male Connector	ANT-240	390L24-T1	390L24-EZS1
390L24-EZCN2	N-Type Female Connector	ANT-240	390L24-T1	390L24-EZS1
390L30-EZCN1	N-Type Male Connector	ANT-300	390L30-T1	390L30-EZS1
390L30-EZCN2	N-Type Female Connector	ANT-300	390L30-T1	390L30-EZS1
390L40-EZCN1	N-Type Male Connector	ANT-400	390L40-T1	390L40-EZS1
390L40-EZCN2	N-Type Female Connector	ANT-400	390L40-T1	390L40-EZS1
390L60-EZCN1	N-Type Male Connector	ANT-600	390L60-T1	390L60-EZS1
390L60-EZCN2	N-Type Female Connector	ANT-600	390L60-T1	390L60-EZS1
<b>TNC Connectors</b>				
390L20-EZCT1	TNC Male Connector	ANT-200	390L20-T1	390L20-EZS1
390L24-EZCT1	TNC Male Connector	ANT-240	390L24-T1	390L24-EZS1
390L40-EZCT1	TNC Male Connector	ANT-400	390L40-T1	390L40-EZS1
390L40-EZCT2	TNC Female Connector	ANT-400	390L40-T1	390L40-EZS1
<b>TNC Reverse Polarity Connectors</b>				
390L24-EZCT6	TNC Reverse Polarity Male Connector	ANT-240	390L24-T1	390L24-EZS1
390L24-EZCT7	TNC Reverse Polarity Female Connector	ANT-240	390L24-T1	390L24-EZS1
390L40-EZCT6	TNC Reverse Polarity Male Connector	ANT-400	390L40-T1	390L40-EZS1
390L40-EZCT7	TNC Reverse Polarity Female Connector	ANT-400	390L40-T1	390L40-EZS1
390L60-EZCT6	TNC Reverse Polarity Male Connector	ANT-600	390L60-T1	390L60-EZS1
390L60-EZCT7	TNC Reverse Polarity Female Connector	ANT-600	390L60-T1	390L60-EZS1