

## Mode-3 – Charging Cable



Specification	Charging Cable Mode-3 – Type-2 – Type-2
---------------	---

### Product Definition

Charging standard	Typ-2
Standards / regulations	IEC 62196-2
Approval	VDE
Country approval	On request
Confection line end	On request

### Dimensions Charging Connector

Width	70 mm
Height	110 mm
Depth	200 mm
Conductor length	On request

### Ambient Conditions

Ambient temperature (operation)	-30°C ... +50°C
Ambient temperature (storage/transport)	-40°C ... +80°C
Max. altitude	5.000 m (above sea level)
Degree of protection (plugged)	IP44
Degree of protection (protective cap)	IP44

## Electrical Properties

Number of phases	1		3	
Rated voltage for power contacts	250 V AC		480 V AC	
Rated current for power contacts	20 A	32 A	20 A	32 A
Charging power	4,7 kW	7,4 kW	11 kW	22 kW
Maximum charging power	5 kW	8 kW	16,6 kW	26,6 kW
Resistor coding (between PE and PP)	680 Ω	220 Ω	680 Ω	220 Ω
Number of power contacts	3 (L1, N, PE)		5 (L1, L2, L3, N, PE)	
Rated voltage for signal contacts	30 V AC			
Rated current for signal contacts	2 A			
Number of signal contacts	2 (CP, PP)			
Note on the connection method	Crimp termination (cannot be disconnected)			

## Mechanical Properties

Mating cycles	> 10.000
Insertion force	< 100 N
Withdrawal	< 100 N

## Design

Color housing / handle area	black
Color mating face	black
Color protective cap	black
Housing with customer logo	On request

## Material

Material housing / handle area	Plastic
Material mating face	Plastic
Material protective cap	Soft plastic
Flammability rating	V0
Material contacts	Cu-Alloy
Material surface of contacts	Ag

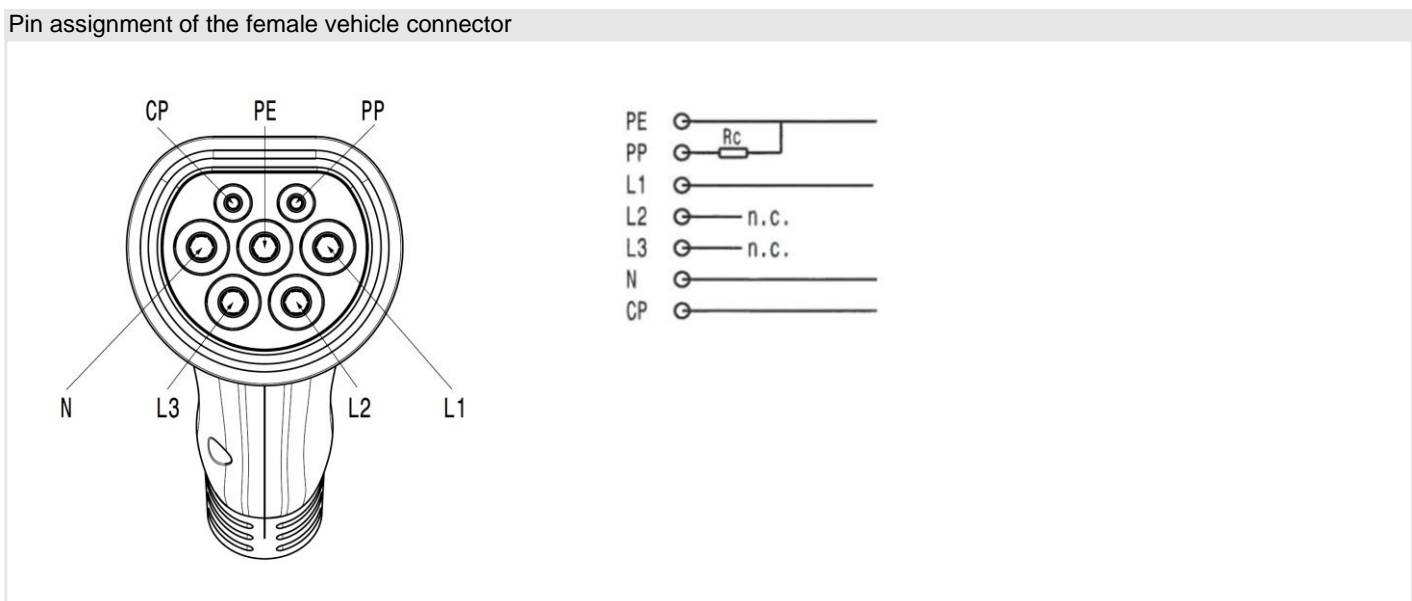
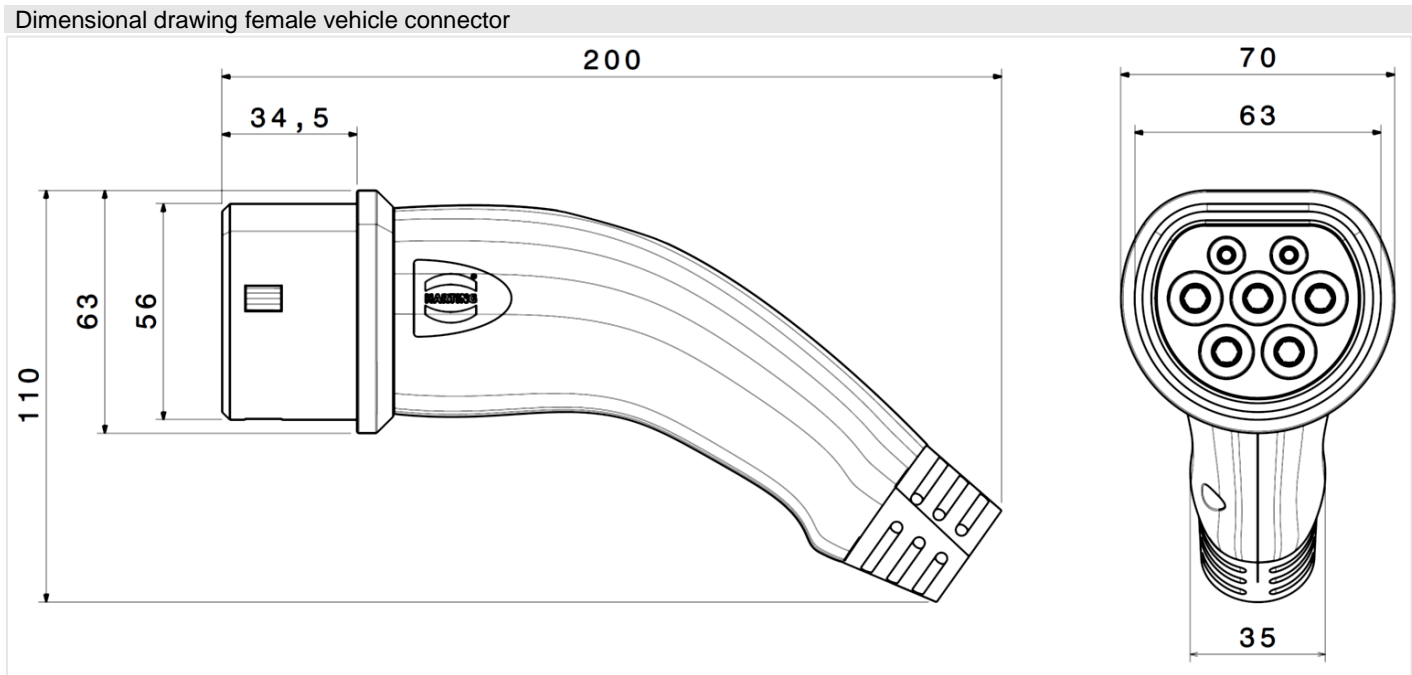
## Cable

Cable structure	1 phase		3 phases	
	20 A	32 A	20 A	32 A
	3 x 2,5 mm <sup>2</sup> + 0,5 mm <sup>2</sup>	3 x 6,0 mm <sup>2</sup> + 0,5 mm <sup>2</sup>	5 x 2,5 mm <sup>2</sup> + 0,5 mm <sup>2</sup>	5 x 6,0 mm <sup>2</sup> + 0,5 mm <sup>2</sup>
Cable diameter	10,2 ± 0,3 mm	12,8 ± 0,4 mm	12,8 ± 0,4 mm	16,5 ± 0,3 mm
Cable resistance at 20°C (2,5 mm <sup>2</sup> )	≤ 7,98 Ω/km			
Cable resistance at 20°C (6,0 mm <sup>2</sup> )	≤ 3,3 Ω/km			
Cable resistance at 20°C (0,5 mm <sup>2</sup> )	≤ 39,0 Ω/km			
Wiring standard	IEC 62893			
Type of conductor	Straight, more types on request			
Outer sheath, material	TPE-U			
Outer sheath, color	On request			
Minimum bending radius	9 x cable diameter			
Specification vehicle side	Type-2 charging connector			
Specification infrastructure side	Type-2 charging connector			

## Environmental Product Compliance

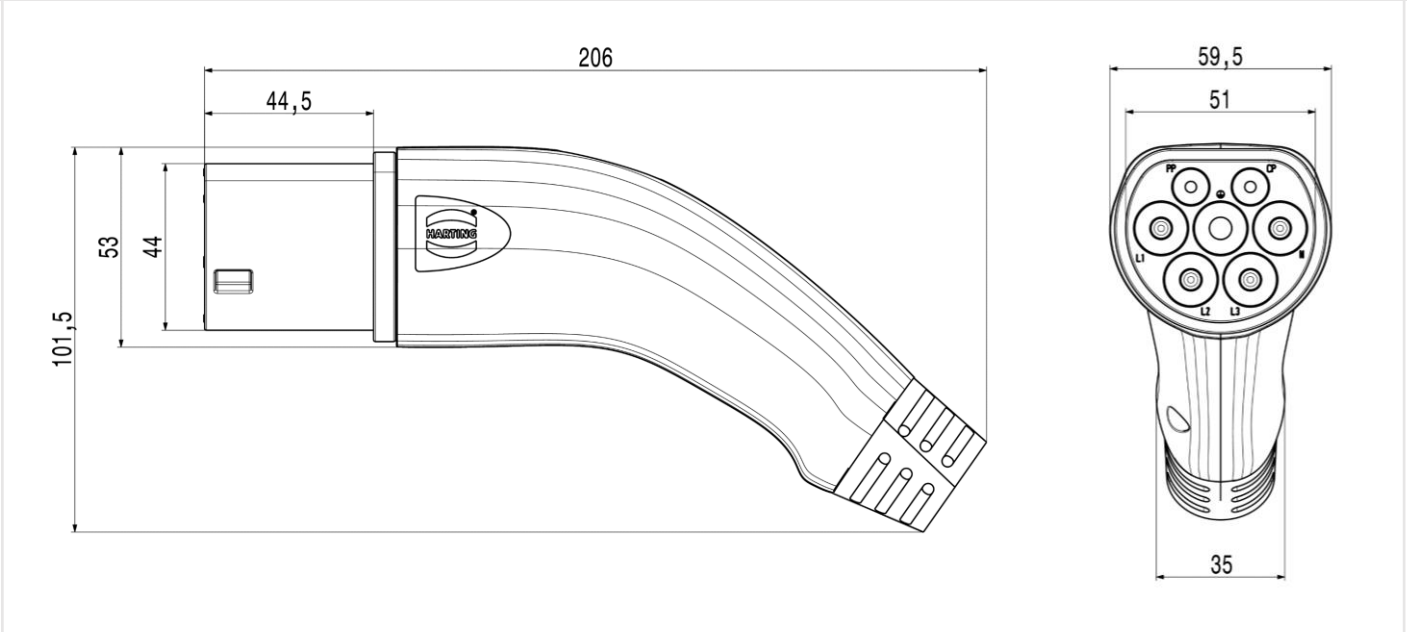
REACH SVHC	Lead   CAS 7439-92-1
China RoHS	Environmentally Friendly Use Period: 50 years

Drawings



## Drawings

Dimensional drawing male vehicle connector



Pin assignment of the male vehicle connector

